



[Homepage](#) > [Products](#) > [RFID Antennas](#) > [865-870 MHz Reader Antennas](#) > **Linear Antennas**

## LINEAR ANTENNAS

**MT-243009/N**  
**865-870MHZ ,13 DBI LINEAR V/H POLARITY DIRECTIONAL ANTENNA**



### ELECTRICAL

REGULATORY COMPLIANCE	RoHS, CE 0682
FREQUENCY RANGE	865-870 MHz
GAIN	13 dBi (min)
VSWR	1.7 : 1 (max)
POLARIZATION	Linear (Vertical or Horizontal)
3 dB BEAMWIDTH	37°(typ)
SIDELOBES LEVEL	-15 dB
F/B RATIO	-15 dB (max)
CROSS POLARIZATION	-20 dB (max)
POWER	6W (max)
INPUT IMPEDANCE	50 (ohm)
LIGHTNING PROTECTION	DC Grounded

### MECHANICAL

DIMENSIONS (LxWxD)	450 x 450 x 35mm (max)
CONNECTOR	N-Type Female
WEIGHT	2 Kg (max)
MOUNTING KIT	MT-120018
RADOME MATERIAL	Plastic
BASE PLATE MATERIAL	Aluminum with chemical conversion coating

[ADD TO COMPARE PAGE](#)    [TO COMPARE PAGE](#)

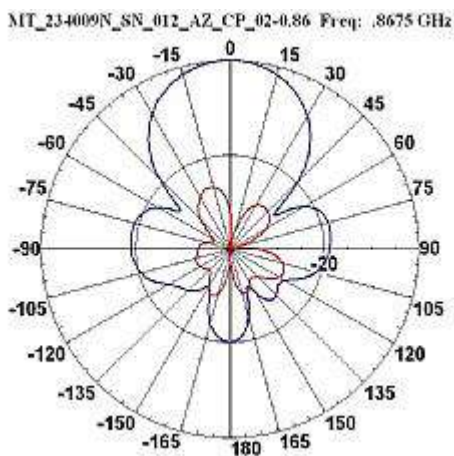
### ENVIRONMENTAL

TEST	STANDARD	DURATION	TEMPERATURE	NOTES
LOW TEMPERATURE	IEC 68-2-1	72 h	-55°C	

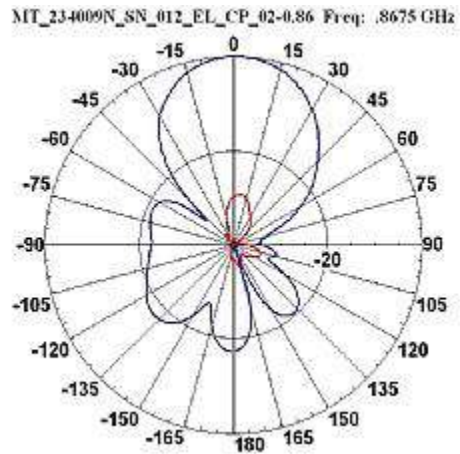
HIGH TEMPERATURE	IEC 68-2-2	72 h	+71°C	
TEMP. CYCLING	IEC 68-2-14	1 h	-45°C +70°C	3 Cycles
VIBRATION	IEC 60721-3-4	30 min/axis		Random4M3
SHOCK MECHANICAL	IEC 60721-3-4			4M3
HUMIDITY	ETSI EN300-2-4 T4.1E	144 h		95%
WATER TIGHTNESS	IEC 529			IP67 (*please see comment below)
SOLAR RADIATION	ASTM G53	1000h		
FLAMMABILITY	UL 94			Class HB
SALT SPRAY	IEC 68-2-11 Ka	500h		
ICE AND SNOW				25mm Radial
WIND SPEED SURVIVAL				220 Km/h
OPERATION				160 Km/h
WIND LOAD (SURVIVAL)				39.6 kg
FRONT THRUST				4.3 kg
SIDE THRUST				

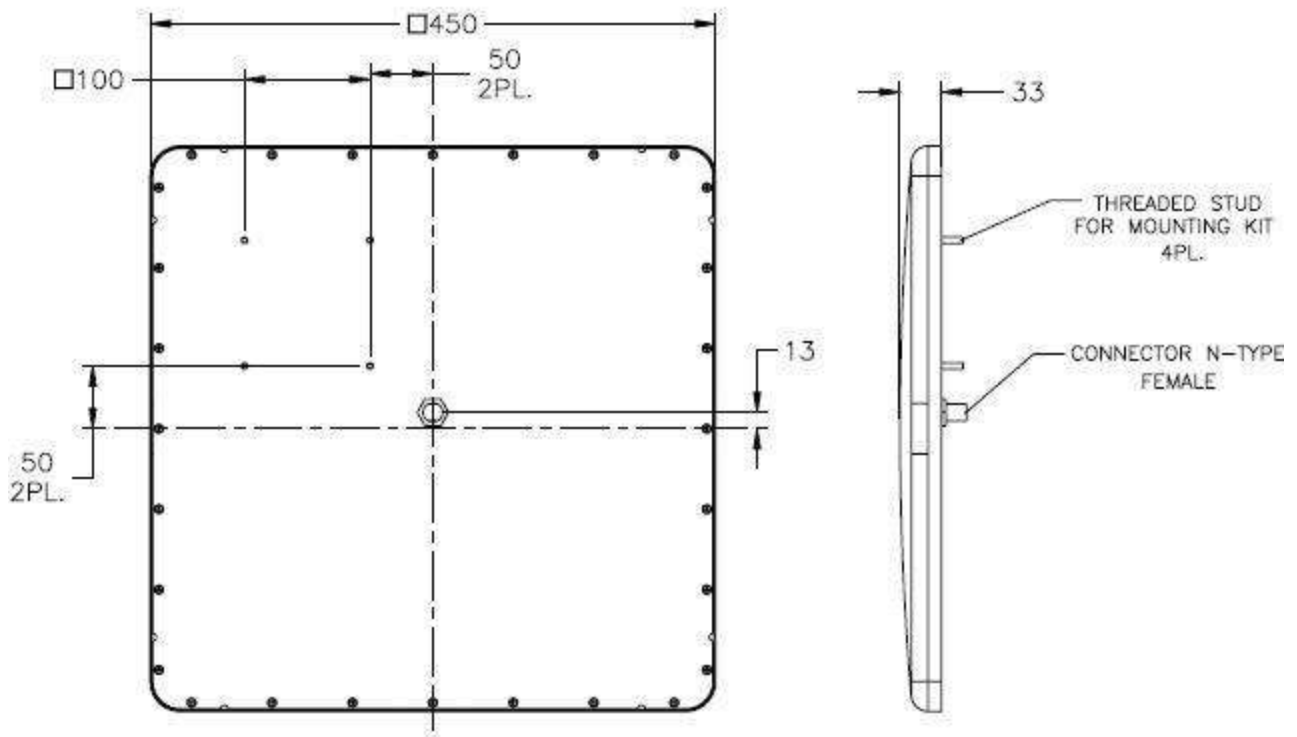
\*For outdoor installations that require mounting the antenna horizontally facing ground, please contact MTI representative for the dedicated P/N

**AZIMUTH RADIATION PATTERN MIDBAND  
FREQ. 0.8675 GHZ**



**ELEVATION RADIATION PATTERN MIDBAND  
FREQ. 0.8675 GHZ**





#### WAIVER!

While the information contained in this document has been carefully compiled to the best of our present knowledge, it is not intended as presentation or warranty of any kind on our part regarding the fitness of the products concerned for any particular use or purpose and neither shall any statement contained herein be construed as a recommendation to infringe any industrial property rights or as a license to use any such rights. The fitness of each product for any particular purpose must be checked beforehand with our specialists.